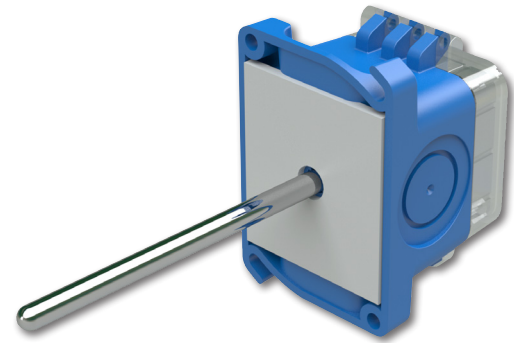


Features & Options

- Stainless Steel Probes: 100, 200, 300 and 450mm
- BAPI-Box Crossover Enclosure
- 10K-2, 10K-3 or 10K-4 Thermistor Sensor
- Limited Lifetime Warranty

Duct Units come with a BAPI-Box Crossover polycarbonate enclosure. The enclosure carries an IP10 rating or IP44 with a knockout plug or liquid tight fitting in the open port. Duct units feature closed cell foam to seal the probe insertion hole and to absorb vibration. Mounting tabs allow for easy installation directly to the wall of the duct.

All Duct Units have etched Teflon leadwires and double encapsulated sensors to create a watertight package that can withstand high humidity and condensation and perform under real world conditions. Duct Units have probe lengths from 100 to 450mm to accommodate most duct shapes and sizes and are available with a 10K-2, 10K-3 or 10K-4 Thermistor sensor.



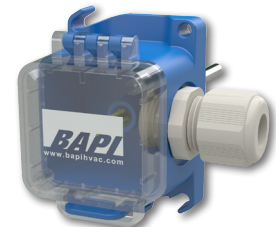
Duct Sensor with BAPI-Box Crossover



with plug

BAPI-Box Crossover Enclosure

The BAPI-Box Crossover features a hinged cover with thumb latch for easy termination. Pierceable Knockout Plugs or Liquid Tight Fittings are available for the open port which increase the enclosure rating from IP10 to IP44. See "Accessories" for plugs and fittings.



with fitting

Specifications

Environmental Operation Range:

Temperature: -40 to 85 °C

Humidity: 0 to 100%, non-condensing

Temp Sensing Element & Accuracy:

10K-2 Thermistor: $\pm 0.2^{\circ}\text{C}$ (0 to 70°C)

10K-3 Thermistor: $\pm 0.2^{\circ}\text{C}$ (0 to 70°C)

10K-4 Thermistor: $\pm 1\%$ @ 25°C

Probe Material:

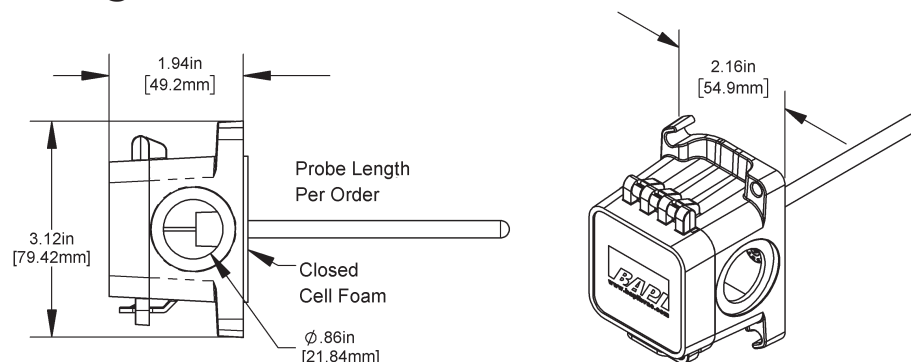
Series 304 Stainless Steel, 6.4mm diameter

BAPI-Box Crossover Enclosure Material:

UV-resistant polycarbonate, UL94, V-0

Enclosure Rating:

IP10 (IP44 w/ plug or fitting in open port)



Ordering Information

Part Number and Description

BA/10K-2-D-100-BBX

Duct Temp Sensor: 10K-2 Thermistor, 100, BAPI-Box Crossover Enclosure IP10

BA/10K-2-D-200-BBX

Duct Temp Sensor: 10K-2 Thermistor, 200, BAPI-Box Crossover Enclosure IP10

BA/10K-2-D-300-BBX

Duct Temp Sensor: 10K-2 Thermistor, 300, BAPI-Box Crossover Enclosure IP10

BA/10K-2-D-450-BBX

Duct Temp Sensor: 10K-2 Thermistor, 450, BAPI-Box Crossover Enclosure IP10

BA/10K-3-D-100-BBX

Duct Temp Sensor: 10K-3 Thermistor, 100, BAPI-Box Crossover Enclosure IP10

BA/10K-3-D-200-BBX

Duct Temp Sensor: 10K-3 Thermistor, 200, BAPI-Box Crossover Enclosure IP10

BA/10K-3-D-300-BBX

Duct Temp Sensor: 10K-3 Thermistor, 300, BAPI-Box Crossover Enclosure IP10

BA/10K-3-D-450-BBX

Duct Temp Sensor: 10K-3 Thermistor, 450, BAPI-Box Crossover Enclosure IP10

BA/10K-4-D-100-BBX

Duct Temp Sensor: 10K-4 Thermistor, 100, BAPI-Box Crossover Enclosure IP10

BA/10K-4-D-200-BBX

Duct Temp Sensor: 10K-4 Thermistor, 200, BAPI-Box Crossover Enclosure IP10

BA/10K-4-D-300-BBX

Duct Temp Sensor: 10K-4 Thermistor, 300, BAPI-Box Crossover Enclosure IP10

BA/10K-4-D-450-BBX

Duct Temp Sensor: 10K-4 Thermistor, 450, BAPI-Box Crossover Enclosure IP10

