

Features & Options

- New BAPI-Stat “Quantum” Enclosure Style with Higher Contrast Display for Improved Clarity at Greater Distances
- Pushbutton Setpoint Adjustment, 10 to 32°C or -3 to +3 Setpoint Range
- Large Display with Multiple Indicators and Icons
- 10K-2, 10K-3 or 10K-4 Thermistor Sensors

The BAPI-Stat “Quantum” room temperature sensor with display features a modern enclosure style with pushbutton setpoint adjustment and occupant override. The large display has been upgraded for higher contrast, providing improved clarity at greater distances.

The temperature sensor is available as a 10K-2, 10K-3 or 10K-4 Thermistor. The setpoint comes in a 10 to 32°C or -3 to +3 range with a 0 to 10V output.



BAPI-Stat
“Quantum”
Sensor



Specifications

Power for 24 VDC Power Units (default):

15 to 40 VDC (24 VDC nominal)

15 to 28 VAC (24 VAC nominal)*

*AC power requires a separate pair of shielded wires.

Power Consumption:

13 mA max DC; .32 VA max AC

Temp Sensing Element & Accuracy:

10K-2 Thermistor: $\pm 0.2^{\circ}\text{C}$ (0 to 70°C)

10K-3 Thermistor: $\pm 0.2^{\circ}\text{C}$ (0 to 70°C)

10K-4 Thermistor: $\pm 1\%$ @ 25°C

Wiring:

2 to 4 pair of 16 to 22AWG*

Mounting:

2x4” J-box or drywall mount (screws provided)

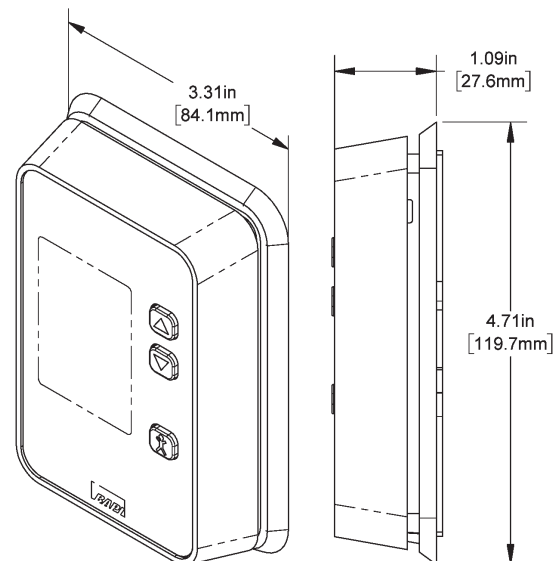
Environmental Operation Range:

Temperature: 0 to 50°C

Humidity: 0 to 95%, non-condensing

Agency:

RoHS



*BAPI recommends that you do not run wiring for the Room Units in the same conduit as line voltage wiring or with wiring used to supply highly inductive loads such as motors, generators and coils. Also, these units are not designed for line voltage applications.

Ordering Information

<u>Part Number</u>	<u>Description</u>
BA/TQ60C-B-2-C10-J.....	BAPI-Stat “Quantum” with Display, 10K-2 Thermistor Sensor, Pushbutton Temp Setpoint, 0 to 10V Setpoint Output, 10 to 32 °C Setpoint Range, Occupant Override, Common Ground Configuration
BA/TQ60C-C-2-C10-J	BAPI-Stat “Quantum” with Display, 10K-3 Thermistor Sensor, Pushbutton Temp Setpoint, 0 to 10V Setpoint Output, 10 to 32 °C Setpoint Range, Occupant Override, Common Ground Configuration
BA/TQ60C-V-2-C10-J.....	BAPI-Stat “Quantum” with Display, 10K-4 Thermistor Sensor, Pushbutton Temp Setpoint, 0 to 10V Setpoint Output, 10 to 32 °C Setpoint Range, Occupant Override, Common Ground Configuration
BA/TQ60C-B-2-A10-J.....	BAPI-Stat “Quantum” with Display, 10K-2 Thermistor Sensor, Pushbutton Temp Setpoint, -3 to +3° Setpoint Range, 0 to 10V Setpoint Output, Occupant Override, Common Ground Configuration
BA/TQ60C-C-2-A10-J.....	BAPI-Stat “Quantum” with Display, 10K-3 Thermistor Sensor, Pushbutton Temp Setpoint, -3 to +3° Setpoint Range, 0 to 10V Setpoint Output, Occupant Override, Common Ground Configuration
BA/TQ60C-V-2-A10-J.....	BAPI-Stat “Quantum” with Display, 10K-4 Thermistor Sensor, Pushbutton Temp Setpoint, -3 to +3° Setpoint Range, 0 to 10V Setpoint Output, Occupant Override, Common Ground Configuration

